

Product Brief

Intematix Ambient Lighting Module

The Intematix ambient lighting module is a simple plug and play solution that enables highly uniform glare free lighting. The unique 240 degree wide beam pattern allows for the use of fewer light engines to create excellent uniformity and fill in a wide variety of functional, decorative, and architectural lighting applications. The remote phosphor system architecture eliminates the pixelation that is often present with white LED linear lighting systems and remains clean and consistent even under deep dimming conditions.

The robust polycarbonate lens fully encloses the LEDs, eliminating risk of damage. Color consistency of 3 SDCM is maintained over angle, over length, part to part, and over time; completely eliminating any concerns of color uniformity. Length options of 12, 20 and 43 inches reduce wiring and mounting operation steps and components, further reducing system costs. Customized solutions with color temperatures from 2400K to 10,000K, CRI values of up to 98, high gamut area index (GAI), customized white points and lengths are also supportable.

Product Features

- Integrated modular solution
- Wide angle 240° FWHM beam pattern
- Diffuse and uniform emission pattern
- Impact resistant polycarbonate cover
- 3 SDCM Color consistency
- 12, 20 and 43 Inch length options
- 5 Year limited warranty

Application Benefits

- Accelerates time to market
- Excellent uniformity and fill
- Glare free non-pixelated lighting
- Protects LEDs from risk of damage
- Uniform consistent lighting
- Reduced wiring and mounting costs
- Design with confidence

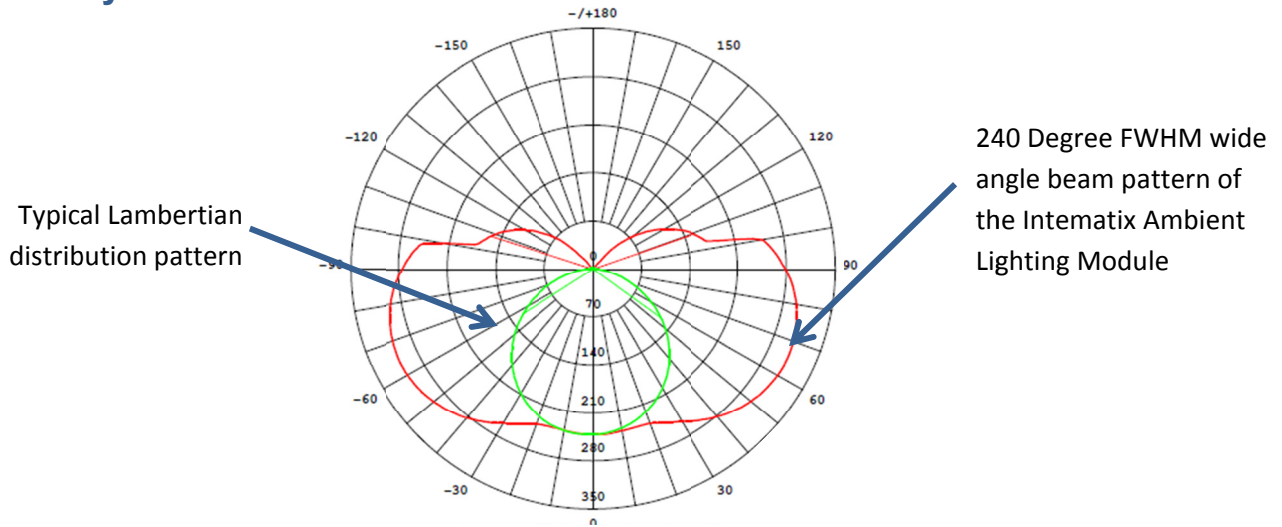


Optical and Performance Characteristics

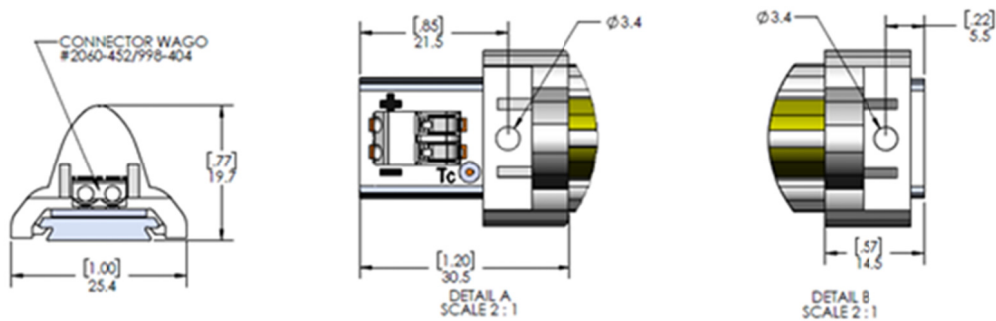
Product	Length	Nominal CCT (K)	Min CRI	Typical LOP (lm)	Typical Efficacy (lm/W)	Rated Drive Current (mA)	Typical Forward Voltage (V)	Power (W)
ILM-AL01-840-1200-0305	12 Inch 305 mm	4000	80	1160	145	350	22.9	8.0
ILM-AL01-840-2100-0508	20 Inch 508 mm	4000	80	2070	145	500	28.6	14.3
ILM-AL01-840-3200-1092	43 Inch 1092 mm	4000	80	3160	147	500	42.9	21.5

Note: All values shown are hot performance values after 60 minutes of operation, $T_c = 40^\circ\text{C}$

Intensity Distribution



Electrical and Mechanical Interconnects



Please contact a sales representative for additional product details.
For more information contact sales@intematix.com.

All rights reserved. Specifications subject to change without notice. Last updated October 1st 2017.

INTEMATIX